

EMC Brass Cable Glands - (3rd Generation) - Metric Thread

The 3rd generation EMC cable glands offer an advantage that as the gland is tightened the contact force exerted on the braided portion of the cable also increases, this leads to lower contact resistance. Also, the wider gap between the contact leaves allows for easier insertion and removal of the cable.

Technical Data

Material	Brass, Nickel Plated
Temperature Range	-20° C to +100°C Continuous, -40°C to +150°C Intermittent
Protection Class	IP 68-5 Bar, 30 min
O Ring	Perbunan (NBR)
Sealing Ring	CR-Chloroprene Rubber
Attachment Thread	EN 60423
Clamping Insert	Polyamide 6 V2
Contact Spring	Special Copper Alloy

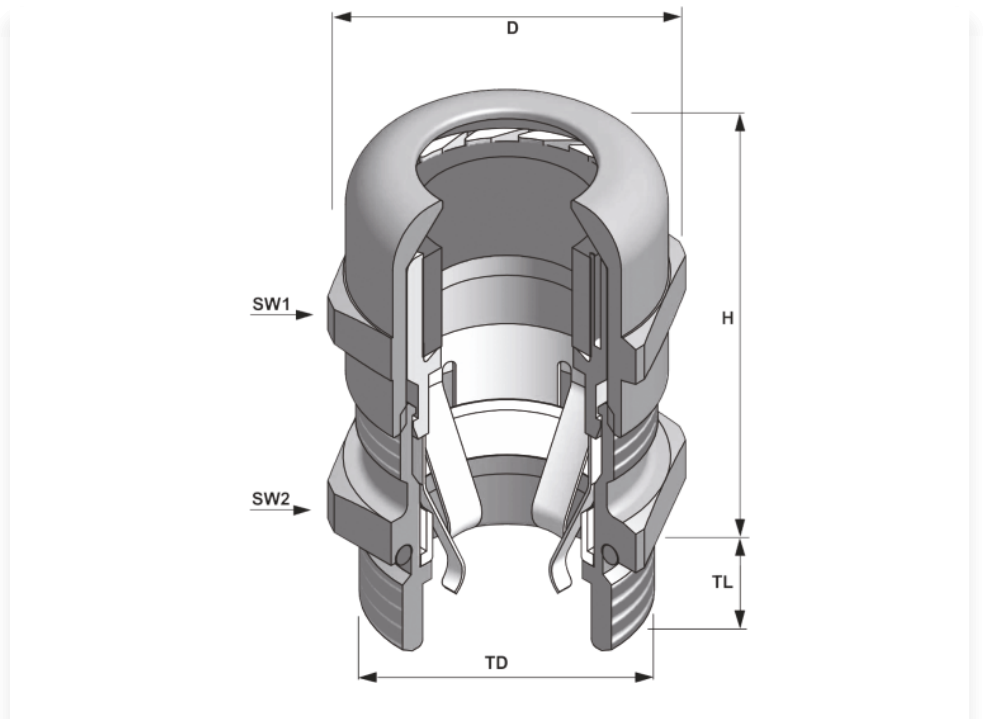
Accessories

Image	Cat. no.	Description
	Brass / SS Standard Locknuts - Metric Threads	In certain applications, installing cable glands directly on enclosure or...
	EMC Brass / SS Lock Nuts - Metric Threads	These lock nuts are specifically designed for use with EMC...
	Flat Washers - Metric Thread	Flat washer shields the surface by uniformly distributing load when...
	O Rings - For Metric Thread Cable Glands	O-rings are round sealing elements made up of NBR material...

Approvals



Product Drawing



Ordering Information

Metric Thread - 3rd Generation

Cat. No.	Size	Thread Diameter D (mm)	Thread Length L (mm)	Spanner Size (mm)	Clamping Range (mm)	Shield Diameter (mm)	Standard Pack (Pieces)
BMEM-ES	M12 x 1.5	12	6	14	3 - 6.5	2.5 - 4.5	50
BMEM-E1	M16 x 1.5	16	7	20	5 - 10	4.0 - 8.0	50
BMEM-E2	M20 x 1.5	20	8	22	6 - 12	5.0 - 10.0	50
BMEM-E3	M25 x 1.5	25	8	27	11 - 17	9.5 - 15.0	25
BMEM-E4	M32 x 1.5	32	8	34	15 - 21	13.5 - 19.0	25

Metric Thread - 3rd Generation

Cat. No.	Size	Thread Diameter D (mm)	Thread Length L (mm)	Spanner Size (mm)	Clamping Range (mm)	Shield Diameter (mm)	Standard Pack (Pieces)
BMEM-E5	M40 x 1.5	40	9	43	19 - 28	17.0 - 25.0	20
BMEM-E6	M50 x 1.5	50	9	58	27 - 38	25.0 - 32.0	12
BMEM-E7	M63 x 1.5	63	14	68	34 - 44	31.0 - 41.0	12