

### Strip Connectors Without Wire Protector 0.5 - 6 mm<sup>2</sup> (Solid Wire)

These strip connectors feature tubular screw clamps and wire protectors which are actuated by a screw. They are available in 2.5, 4 & 6 sq.mm. sizes and are compact & ideal for small spaces. They can be used as free floating connectors or as panel mounted terminal blocks. Available in standard 12-pole strips these can be easily cut into combinations of smaller number of poles. Controlwell also offers pre-cut strips of any number of poles less than 12. 41 Amp, 450 V, 2 pole to 12 pole multiway strip connector

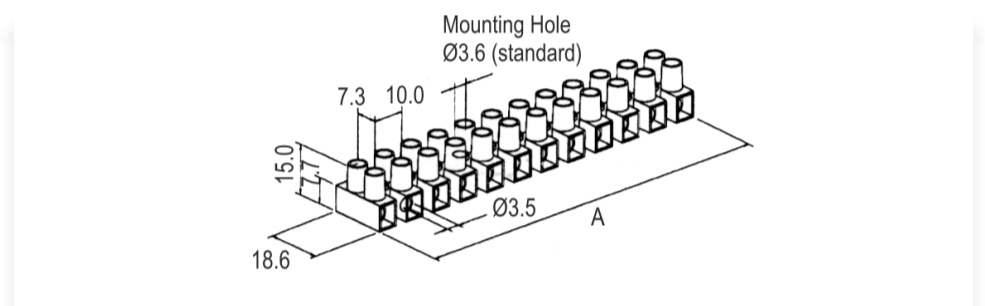
### Technical Data

Width x Height	18.6 x 15 mm
Wire Clamping Range - Without Wire Protector	0.5 - 6 mm <sup>2</sup> (Rigid Wire)
Wire Stripping Length	6 mm
Nominal Voltage	450 V
Rated Current- Without Wire Protector	41A
Housing Material	Polyamide 66 / UL94V0
Insert Material	Galvanized Brass
Screw Material	M3
Max. Ambient Temperature - If used in 2, 3 or 4 Pole configuration	110°C
Max. Ambient Temperature - If used in 6 or 12 Pole configuration	85° C

### Approvals



### Product Drawing



### Ordering Information

Cat. No.	Description	Pole	Length	Standard Pack (Pieces)
MW4NP02	0.5 - 6 mm <sup>2</sup> (Solid Wire) Without wire protector	2 Pole	16.3	150
MW4NP03	0.5 - 6 mm <sup>2</sup> (Solid Wire) Without wire protector	3 Pole	26.3	100
MW4NP04	0.5 - 6 mm <sup>2</sup> (Solid Wire) Without wire protector	4 Pole	36.4	75
MW4NP06	0.5 - 6 mm <sup>2</sup> (Solid Wire) Without wire protector	6 Pole	58.5	50
MW4NP12	0.5 - 6 mm <sup>2</sup> (Solid Wire) Without wire protector	12 Pole	117	25