

Strip Connectors With Wire Protector 0.5 - 4 mm²

These strip connectors feature tubular screw clamps and wire protectors which are actuated by a screw. They are available in 2.5, 4 & 6 sq.mm. sizes and are compact & ideal for small spaces. They can be used as free floating connectors or as panel mounted terminal blocks. Available in standard 12-pole strips these can be easily cut into combinations of smaller number of poles. Controlwell also offers pre-cut strips of any number of poles less than 12. 24Amp, 450V, 2 pole to 12 pole multiway strip connector

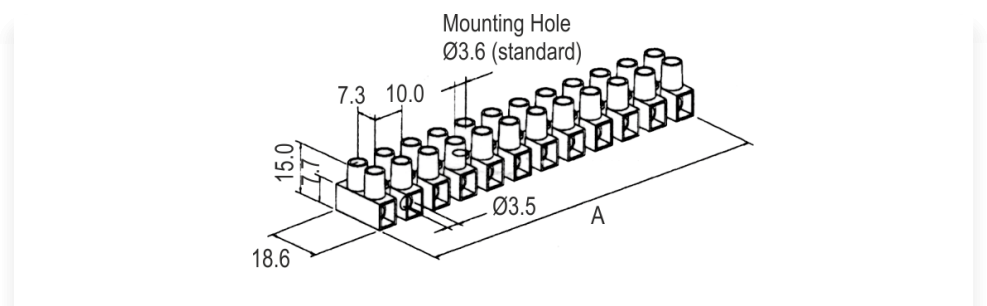
Technical Data

Width x Height		18.6 x 15 mm
Wire Clamping Range - With Wire Protector		0.5 - 4 mm ²
Wire Stripping Length		6 mm
Nominal Voltage		450 V
Rated Current- With Wire Protector		32A
Recommended Tightening Torque		0.5 Nm
Housing Material		Polyamide 66 / UL94V0
Insert Material		Galvanized Brass
Screw Material		Galvanized Steel
Screw Size		M3
Max. Ambient Temperature - If used in 2, 3 or 4 Pole configuration		110°C
Max. Ambient Temperature - If used in 6 or 12 Pole configuration		85° C

Approvals



Product Drawing



Ordering Information

Cat. No.	Description	Pole	Length	Standard Pack (Pieces)
MW4P02	0.5 - 4 mm ² With wire protector	2 Pole	16.3	150
MW4P03	0.5 - 4 mm ² With wire protector	3 Pole	26.3	100
MW4P04	0.5 - 4 mm ² With wire protector	4 Pole	36.4	75
MW4P06	0.5 - 4 mm ² With wire protector	6 Pole	58.5	50
MW4P12	0.5 - 4 mm ² With wire protector	12 Pole	117	25