



Din Rail Supports

DIN Rail supports are used for housing of high connection density contact carriers or inserts within control cabinets / panels. No tools are needed for installing these products. The inserts / contact carriers can be snapped into the DIN Rail supports with hands. Also the DIN Rail supports can be snapped on to the DIN Rails without tools. These DIN Rail supports are fully cross compatible with inserts of other makes. The inserts and hence the contacts are fully secured by locking the male inserts with the female inserts. This is achieved by using locking levers.

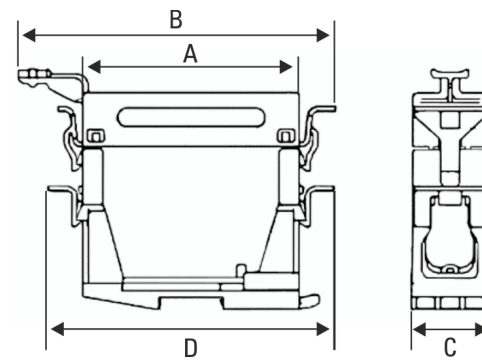
Technical Data

Material	Polycarbonate
Colour	Grey
Flammability	UL 94 V0
Mounting on	DIN 35 Rail (7.5 mm & 15 mm Deep)

Approvals



Product Drawing



Ordering Information

Din Rail Supports for Insert Size B

Cat. No.	D (mm)	Enclosure Size (mm)	Suitable Enclosure Type	A (mm)	B (mm)	C (mm)	Standard Pack (Pieces)
WDIN/B6	146	44 x 27	6B	57	113.3	42	1
WDIN/B10	146	57 x 27	10B	70	126	42	1
WDIN/B16	146	77 x 27	16B	90.6	146.3	42	1
WDIN/B24	146	104 x 27	24B	117	173	42	1