

## Surface Mount Housings 2 Levers

Surface mount type housings are used where a cable terminates into the male or female insert housed inside it. i.e. It is mounted on a plain surface with a cable coming into the housing via a cable gland mounted on the body of the housing. In this case the double locking mechanism ensures IP 66 class protection to the inserts even if one of the locks accidentally opens up.

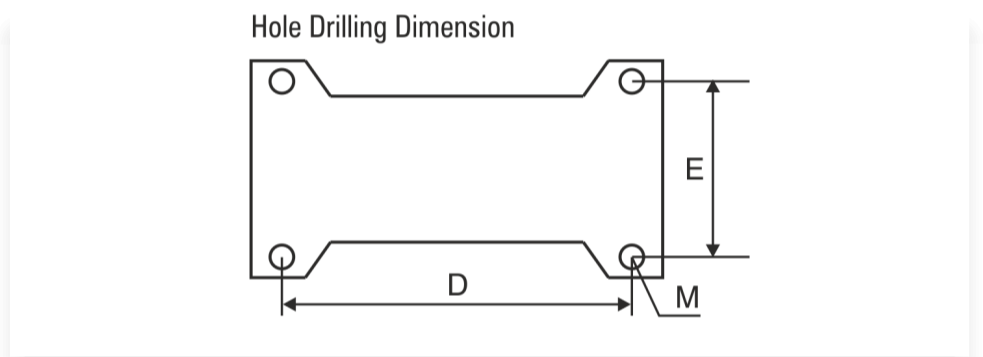
### Technical Data

Material	Die cast Aluminium alloy
Protection Class	IP 66
Gasket	Vinyl Nitrile Elastomer (NBR)
Voltage	For Inserts upto 500V
Thread	Pg, Metric

### Accessories

Image	Cat. no.	Description
	Covers for Housings	In case housings with hinged covers are not procured initially,...

### Product Drawing



## Ordering Information

### Housing with 2 Levers

Cat. No.	Cable Gland Size	Enclosure Size (mm)	Suitable Enclosure Type	D (mm)	E (mm)	M (Ømm)	Standard Pack (Pieces)
W10HS2 P16/B10	Pg 16	57 x 27	10B	82	40	4.5	1
W10HS2 M20/B10	M 20 x 1.5	57 x 27	10B	82	40	4.5	1
W16HS2P21/B16	Pg 21	77 x 27	16B	105	45	4.5	1
W24HS2 P21/B24	Pg 21	104 x 27	24B	132	45	4.5	1
W32HS2P29 /A32	Pg 29	66 x 40	32A	94	46	5.5	1
W32HS2M32 /A32	M 32 x 1.5	66 x 40	32A	94	46	5.5	1
W32HS2P36 /B32	Pg 36	77 x 62	32B	112	67	5.5	1

### High Construction Housing with 2 Levers

Cat. No.	Cable Gland Size	Enclosure Size (mm)	Suitable Enclosure Type	D (mm)	E (mm)	M (Ømm)	Standard Pack (Pieces)
W10HHS2 M32 x 2/B10	M 32 x 1.5	57 x 27	10B	82	40	4.5	1
W16HHS2M40 x 2/B16	M 40 x 1.5	77 x 27	16B	105	45	4.5	1