



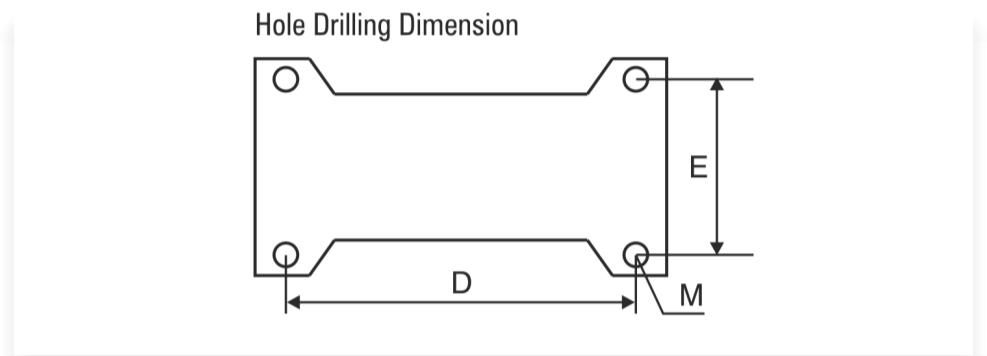
Surface Mount Housings With 1 lever & Cover

Surface mount type housings are used where a cable terminates into the male or female insert housed inside it. i.e. It is mounted on a plain surface with a cable coming into the housing via a cable gland mounted on the body of the housing. In housings with covers, the cover closes over the opening of the housing when the hood is disconnected from the housing. In this case a single lock mechanism ensures IP 66 class protection to the inserts after mating with the appropriate hood. High construction housings are also available on request.

Technical Data

Material	Die cast Alluminium alloy
Protection Class	IP 66
Gasket	Vinyl Nitrile Elastomer (NBR)
Voltage	For Inserts upto 500V
Thread	Pg, Metric

Product Drawing



Ordering Information

Surface Mount Housing with 1 Lever & Cover

Cat. No.	Cable Gland Size	Enclosure Size (mm)	Suitable Enclosure Type	D (mm)	E (mm)	M (Ømm)	Standard Pack (Pieces)
W06HSC1P16/B6	Pg 16	44 x 27	6B	70	40	4.5	1
W06HSC1M20/B6	M 20 x 1.5	44 x 27	6B	70	40	4.5	1
W10HSC1P16/B10	Pg 16	57 x 27	10B	82	40	4.5	1
W16HSC1M25/A16	M 25 x 1.5	66 x 16	16A	64	40	3.5	1
W16HSC1P21/B16	Pg 21	77 x 27	16B	105	45	4.5	1
W24HSC1P21/B24	Pg 21	104 x 27	24B	132	45	4.5	1
W32HSC1P29/B32	Pg 29	77 x 62	32B	112	67	5.5	1
W32HSC1P36/B32	Pg 36	77 x 62	32B	112	67	5.5	1
W48HSC1M50x2/B48	(M 50 x 1.5) x 2	104 x 62	48B	111	106	4.5	1