

SNAP ON CONDUIT COUPLERS



Distributors made of Polyamide can be used instead of a distribution box. These special connectors are used to clamp standard corrugated conduits. They can be configured into the basic shapes of Y (TYC), T (TTC), V(TVC) and straight through (TNSC). They are free for Halogen Phosphorous Cadmium.

Technical Details :	
Material	Polyamide 6
Colour	Black
Temperature Range	-40°C to +105°C Continuous
Protection Class	IP 67

Cat. No. for TYC Configuration	Cat. No. for TTC Configuration	Cat. No. for TVC Configuration	Cat. No. for TNSC Configuration	Suitable for Conduit Size			Standard Pack (pieces)
				A	B	C	
TYC101010	TTC101010	TVC101010	-	10	10	10	10
TYC121010	TTC121010	TVC121010	-	12	10	10	10
TYC121210	TTC121210	TVC121210	-	12	12	10	10
TYC121212	TTC121212	TVC121212	-	12	12	12	10
TYC161010	TTC161010	TVC161010	-	16	10	10	10
TYC161210	TTC161210	TVC161210	-	16	12	10	10
TYC161212	TTC161212	TVC161212	-	16	12	12	10
TYC161216	TTC161216	TVC161216	-	16	12	16	10
TYC161616	TTC161616	TVC161616	-	16	16	16	10
TYC222222	TTC222222	TVC222222	-	22	22	22	10
TYC282222	TTC282222	TVC282222	-	28	22	22	10
TYC282822	TTC282822	TVC282822	-	28	28	22	10
TYC282828	TTC282828	TVC282828	-	28	28	28	10
-	-	-	TNSC10B	10	10	-	10
-	-	-	TNSC12B	12	12	-	10
-	-	-	TNSC16B	16	16	-	10
-	-	-	TNSC22B	22	22	-	10
-	-	-	TNSC28B	28	28	-	10
-	-	-	TNSC36B	36	36	-	10
-	-	-	TNSC48B	48	48	-	10



CONNECTORS FOR FITTING

CONDUITS TO SENSORS



These connectors are used to connect conduits to standard proximity sensors. They are free for Halogen Phosphorous Cadmium.

Technical Details :	
Material	High Quality Polycarbonate
Colour	Transparent White
Temperature Range	-40°C to +105°C Continuous +150°C Short Term
Protection Class	IP 67

Proximity Sensor Size	Suitable for Conduit Size	Cat. No.	Total Length (mm)	Standard Pack (pieces)
M8x1	10	TIS-M08T	61.5	100
M12x1	10	TIS-M12T	61.5	50
M18x1	10	TIS-M18T	61.5	50
M30x1.5	10	TIS-M30T	61.5	30

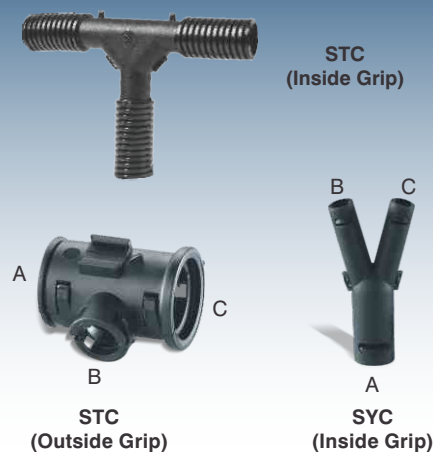


These manifolds are used to join two or three flexible Conduits of the same size or of different sizes with inside or outside gripping. They are available in Straight, Elbow, 'T' and 'Y' shapes.

Technical Details :	
Material	Polyamide 66 (PA)
Protection Class	RAL 9005 (Black)
Temperature Range	-40° C to +135° C Continuous, +150° C Short Term

Y & T CONDUIT COUPLERS

WITH CLAMP LOCKS



Y & T Conduit Couplers

Cat. No.	Type of Gripping	Suitable for Conduit OD			Standard Pack (pieces)
		A Ø mm	B Ø mm	C Ø mm	
SYC070404	OUTSIDE	10	7.1	7.1	50
SYC070707	OUTSIDE	10	10	10	50
SYC101010	INSIDE	13	13	13	50
SYC121010	INSIDE	15.8	13	13	50
SYC121210	INSIDE	15.8	15.8	13	50
SYC161010	INSIDE	21.2	13	13	50
SYC161210	INSIDE	21.2	15.8	13	50
SYC161212	INSIDE	21.2	15.8	15.8	50
SYC161610	INSIDE	21.2	21.2	13	50
SYC161612	INSIDE	21.2	21.2	15.8	50
SYC221616	INSIDE	25.4	21.2	21.2	50
SYC222216	INSIDE	25.4	25.4	21.2	50
SYC222222	INSIDE	25.4	25.4	25.4	50
STC070707	OUTSIDE	10	10	10	50
STC100707	OUTSIDE	13	10	10	50
STC100810	OUTSIDE	13	11.7	13	50
STC101007	OUTSIDE	13	13	10	50
STC101010	OUTSIDE	13	13	13	50
STC120810	OUTSIDE	15.8	11.7	13	50
STC120712	OUTSIDE	15.8	10	15.8	50
STC120812	OUTSIDE	15.8	11.7	15.8	50
STC121007	OUTSIDE	15.8	13	10	50
STC121010	OUTSIDE	15.8	13	13	50
STC121012	OUTSIDE	15.8	13	15.8	50
STC121207	OUTSIDE	15.8	15.8	10	50
STC121210	OUTSIDE	15.8	15.8	13	50
STC121212	OUTSIDE	15.8	15.8	13	50
STC161012	OUTSIDE	21.2	13	15.8	50
STC160712	OUTSIDE	21.2	10	15.8	50
STC160716	OUTSIDE	21.2	10	21.2	50
STC160816	OUTSIDE	21.2	11.7	21.2	50
STC161016	OUTSIDE	21.2	13	21.2	50
STC161212	OUTSIDE	21.2	15.8	15.8	50
STC161216	OUTSIDE	21.2	15.8	21.2	50
STC161607	OUTSIDE	21.2	21.2	10	50
STC161612	OUTSIDE	21.2	21.2	15.8	50
STC161616	INSIDE	21.2	21.2	21.2	50
STC162216	OUTSIDE	21.2	25.4	21.2	50
STC220822	OUTSIDE	25.4	11.7	25.4	50
STC221022	OUTSIDE	25.4	13	25.4	50
STC221212	OUTSIDE	25.4	15.8	15.8	50
STC221216	OUTSIDE	25.4	15.8	21.2	50
STC221612	OUTSIDE	25.4	21.2	15.8	50
STC221222	OUTSIDE	25.4	15.8	25.4	50
STC222216	OUTSIDE	25.4	21.2	21.2	50
STC222222	OUTSIDE	25.4	25.4	25.4	50



CONDUIT COUPLERS WITH CLAMP

LOCKS - STRAIGHT & ELBOW

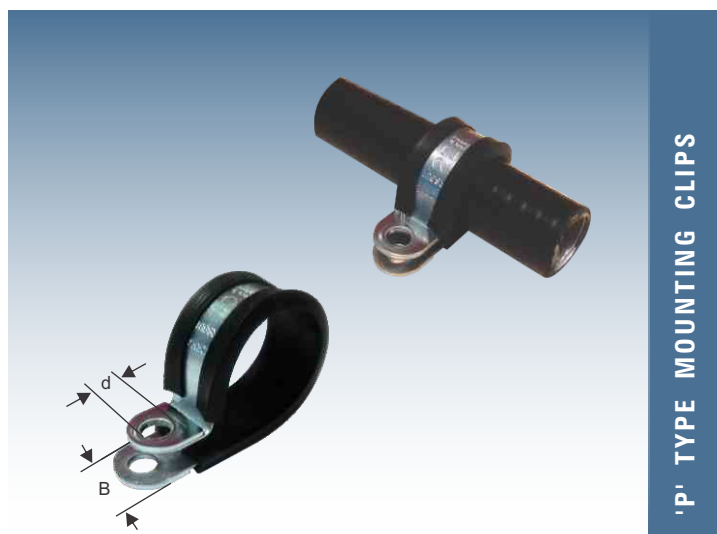


These manifolds are used to join two or three flexible Conduits of the same size or of different sizes with outside gripping. They are available in Straight, Elbow, 'T' and 'Y' shapes.

Technical Details :	
Material	Polyamide 66 (PA)
Protection Class	RAL 9005 (Black)
Temperature Range	-40° C to +135° C Continuous, +150° C Short Term

Straight & Elbow Conduit Coupler

Cat. No.	Type of Gripping	Suitable for Conduit OD		Standard Pack (pieces)
		A Ø mm	B Ø mm	
SSC0707	OUTSIDE	10	10	50
SSC1007	OUTSIDE	13	10	50
SSC1010	OUTSIDE	13	13	50
SSC1210	OUTSIDE	15.8	13	50
SSC1212	OUTSIDE	15.8	15.8	50
SSC1612	OUTSIDE	21.2	15.8	50
SSC1616	OUTSIDE	21.2	21.2	50
SEC1010	OUTSIDE	13	13	50
SEC1212	OUTSIDE	15.8	15.8	50
SEC1612	OUTSIDE	21.2	15.8	50
SEC1616	OUTSIDE	21.2	21.2	50



'P' TYPE MOUNTING CLIPS



'P' type mounting clips are ideal elements for retaining / holding pipes, cables, cable harnesses, hoses etc. These 'P' clips act as form fitting adjustable bands for ease of assembly & installation. The band ends of these clips are reinforced to prevent any tearing or loosening due to high mechanical loads. These galvanized steel, 'P' clips are fitted with EPDM liners which help achieve a tighter grip on the cable / conduit & also act as dampers for sound & vibration.

Technical Details :	
Material	Clip - Zinc Plated, Galvanised Steel
Profile	EPDM
Temperature Range	-40° C to +120° C

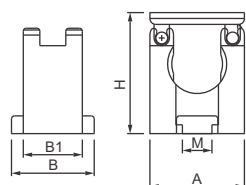
Size	Cat. No.	Nominal ID (mm)	B Width (mm)	d Screw Size	Standard Pack (pieces)
0542-06-12	FHC-06	06	12	M5	50
0542-08-12	FHC-08	08	12	M5	50
0542-10-12	FHC-10	10	12	M5	50
0542-12-12	FHC-12	12	12	M5	50
0542-15-15	FHC-15	15	15	M6	50
0542-22-15	FHC-22	22	15	M6	50
0542-30-15	FHC-30	30	15	M6	50
0542-35-15	FHC-35	35	15	M6	50
0542-40-20	FHC-40	40	20	M8	50



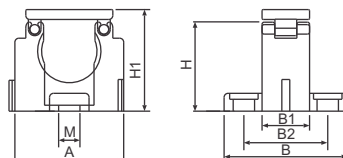
Mounting Clips are used for supporting conduits. These clips are made of High Quality Impact Resistant Polyamide. The mounting clips are stackable and are fixed with the help of screws on to the panel or equipment surface.

Technical Details :	
Material	Polyamide 6
Colour	RAL 7001 (Grey) RAL 9005 (Black)
Temperature Range	-40° C to +105° C Continuous, +150° C Short Term

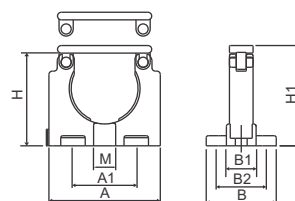
MOUNTING CLIPS



For NFH-7/10



For NFH-12/16/22



For NFH-28/36/48/56/70/95

Suitable for Conduit Size	Cat. No. Black	Cat. No. Grey	Dimensions								
			A	A1	B	B1	B2	H	H1	M	
7	NFH-07B	NFH-07G	16	-	14.5	10	-	-	18	20.7	1 X M4
10	NFH-10B	NFH-10G	18	-	15	10	-	-	21.7	24.2	1 X M4
12	NFH-12B	NFH-12G	27.5	-	31.2	14	21.2	-	22.5	25.7	3 X M5
16	NFH-16B	NFH-16G	34.2	-	36	14	24	-	29.5	33	3 X M5
22	NFH-22B	NFH-22G	45.5	-	38	14	24	-	38	42.2	3 X M6
28	NFH-28B	NFH-28G	55	34	37	14	25	-	45.3	49.8	5 X M6
36	NFH-36B	NFH-36G	66	37.5	41.5	14	27	-	54.3	59.5	5 X M6
48	NFH-48B	NFH-48G	84.8	56	41.5	14	27	-	66.8	73.1	5 X M6
56	NFH-56B	NFH-56G	98.6	64.6	52	19	35.5	-	79.7	86.3	5 X M6
70	NFH-70B	NFH-70G	121	79	63	23	43	-	97.6	105.8	5 X M6
95	NFH-95B	NFH-95G	155	103	82	30	56	-	125.8	136.3	5 X M6



Tube End caps provide an IP66 covering at the end of corrugated tubes. The cap can be cut to accommodate pass through of different size wires.

Technical Details :	
Material	High Quality Rubber (NBR)
Colour	Black
Protection Class	IP 66

TUBE END CAPS



Suitable for Conduit Size	Cat. No.	Inner Diameter (mm)	Cable Range ø min - ø max (mm)	Total Length (mm)
7	FEC-07B	10.0	2 - 7	24.0
10	FEC-10B	12.5	3 - 10	33.0
12	FEC-12B	15.8	4.2 - 12	33.0
16	FEC-16B	21.2	6 - 16	34.5
22	FEC-22B	28.5	6 - 22	41.0
28	FEC-28B	34.5	6 - 28	43.0
36	FEC-36B	42.5	6 - 36	58.5
48	FEC-48B	54.5	6 - 48	58.5
56	FEC-56B	67.2	9 - 56	71
70	FEC-70B	82.5	10 - 70	86
95	FEC-95B	106.0	13 - 95	110



METAL FERRULES FOR

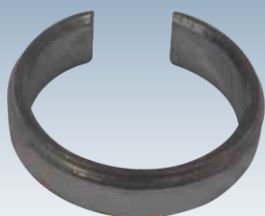
LIQUID TIGHT CONDUITS



These metal ferrules are used in the combination with clamping ring to maintain the IP 67 grade of protection for liquid tight PVC coated smooth conduits. They are used as cover of conduit ends to avoid cable damage.

Technical Details :	
Material	Nickel Plated Brass for SLI Conduits Zinc Plated Steel for SLB Conduits
Colour	Metallic
Approvals	UL SP RoHS

Conduit Size	Cat. No. Nickel Plated Brass	Cat. No. Zinc Plated Steel	Standard Pack (Pieces)
3/8"	AFER-03	BFER-03	25
1/2"	AFER-04	BFER-04	25
3/4"	AFER-05	BFER-05	25
1"	AFER-06	BFER-06	5
1 1/4"	AFER-07	-	5
1 1/2"	AFER-08	-	5
2"	AFER-09	-	2



METAL CLAMPING RING FOR

SLI & SLB CONDUITS



For using liquid tight conduit glands with SLI & SLB metallic conduits it is recommended to replace the standard polyamide clamping ring inside these glands with metal clamping rings. These clamping rings also increase the pull out strength of the conduit.

Technical Details :	
Material	Nickel Plated Brass for SLI Conduits Zinc Plated Steel for SLB Conduits
Colour	Metallic
Approvals	UL SP RoHS

Conduit Size	Cat. No. Nickel Plated Brass	Cat. No. Zinc Plated Steel	Standard Pack (Pieces)
3/8"	ACRI-03	ACRB-03	50
1/2"	ACRI-04	ACRB-04	50
3/4"	ACRI-05	ACRB-05	25
1"	ACRI-06	ACRB-06	10
1 1/4"	ACRI-07	ACRB-07	5
1 1/2"	-	ACRB-08	5
2"	-	ACRB-09	4



In certain applications, installing cable glands directly on enclosure or equipment wall surfaces is not possible as the entry holes are not threaded. In such situations Hexagonal Lock Nuts are used to secure the cable glands.

POLYAMIDE LOCK NUTS

Technical Details :

Material	Polyamide 6 30% glass fibre reinforced
Colour	RAL 7001 (Grey) RAL 9005 (Black)
Threads available	Pg, Metric, NPT & PF

Pg Thread

For Gland Size	Cat. No. Grey	Cat. No. Black	(mm)	Height (mm)	Standard Pack (pieces)
Pg 7	FLN-P07G	FLN-P07B	19	5	50
Pg 9	FLN-P09G	FLN-P09B	22	5	50
Pg 11	FLN-P11G	FLN-P11B	24	5	50
Pg 13.5	FLN-P13G	FLN-P13B	27	6	50
Pg 16	FLN-P16G	FLN-P16B	30	6	50
Pg 21	FLN-P21G	FLN-P21B	36	7	25
Pg 29	FLN-P29G	FLN-P29B	46	7	20
Pg 36	FLN-P36G	FLN-P36B	60	8	10
Pg 48	FLN-P48G	FLN-P48B	70	8	5

Metric Thread

For Gland Size	Cat. No. Grey	Cat. No. Black	(mm)	Height (mm)	Standard Pack (pieces)
M 12 x 1.5	FLN-M10G	FLN-M10B	18	5	50
M 16 x 1.5	FLN-M12G	FLN-M12B	22	5	50
M 20 x 1.5	FLN-M16G	FLN-M16B	26	6	50
M 25 x 1.5	FLN-M22G	FLN-M22B	32	6	50
M 32 x 1.5	FLN-M28G	FLN-M28B	41	7	25
M 40 x 1.5	FLN-M36G	FLN-M36B	50	7	10
M 50 x 1.5	FLN-M48/50G	FLN-M48/50B	60	8	10
M 63 x 1.5	FLN-M48/63G	FLN-M48/63B	75	8	5

NPT Thread

Size	Cat. No. Grey	Cat. No. Black	(mm)	Height (mm)	Standard Pack (pieces)
NPT 1/2"	FLN-N10G	FLN-N10B	27.2	5.6	50
NPT 1/2"	FLN-N12G	FLN-N12B	27.2	5.6	50
NPT 1/2"	FLN-N16G	FLN-N16B	27.2	5.6	50
NPT 3/4"	FLN-N22G	FLN-N22B	26.5	7	30
NPT 1"	FLN-N28G	FLN-N28B	33.2	7	30

PF(G) Thread

For Gland Size	Cat. No. Grey	Cat. No. Black	(mm)	Height (mm)	Standard Pack (pieces)
G 1/4"	FLN-G07G	FLN-G07B	19	6	100
G 1/2"	FLN-G10G	FLN-G10B	27	6	100
G 1/2"	FLN-G12G	FLN-G12B	27	6	100
G 1/2"	FLN-G16G	FLN-G16B	27	6	100
G 3/4"	FLN-G22G	FLN-G22B	36	7	100
G 1"	FLN-G28G	FLN-G28B	46	7	50
G 1 1/4"	FLN-G36G	FLN-G36B	50	8	50
G 1 1/2"	FLN-G42G	FLN-G42B	65	8	50
G 2"	FLN-G48G	FLN-G48B	70	8	50



BRASS LOCK NUTS



In certain applications, installing conduit glands directly on enclosure or equipment wall surfaces is not possible as the entry holes are not threaded. In such situations Brass Lock Nuts are used to secure the cable glands.

Technical Details :	
Material	Brass, Nickel Plated
Threads available	Pg, Metric

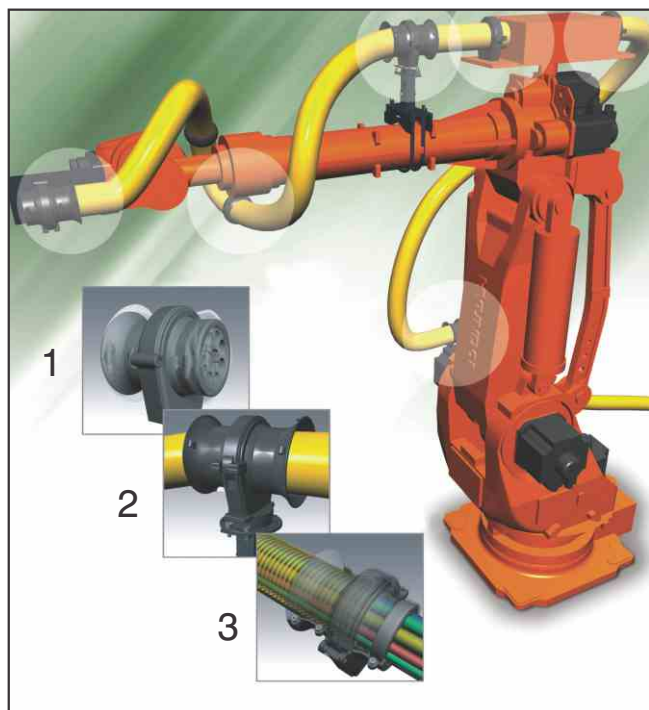
Pg Threads

For Gland Size	Cat. No.	⌀ (mm)	Height (mm)	Standard Pack (pieces)
Pg 7	BSL-01	15	2.8	50
Pg 9	BSL-02	18	2.8	50
Pg 11	BSL-03	21	3.0	50
Pg 13.5	BSL-04	23	3.0	50
Pg 16	BSL-05	26	3.0	25
Pg 21	BSL-06	32	3.5	25
Pg 29	BSL-07	41	4.0	20
Pg 36	BSL-08	51	5.0	15
Pg 42	BSL-09	60	5.0	12
Pg 48	BSL-10	64	5.5	12

Metric Threads

For Gland Size	Cat. No.	⌀ (mm)	Height (mm)	Standard Pack (pieces)
M 12 x 1.5	BMBL-01	15	2.8	50
M 16 x 1.5	BMBL-02	19	3.0	50
M 20 x 1.5	BMBL-03	24	3.5	50
M 25 x 1.5	BMBL-04	30	4.0	25
M 32 x 1.5	BMBL-05	36	5.0	25
M 40 x 1.5	BMBL-06	46	5.0	20
M 50 x 1.5	BMBL-07	60	5.0	15
M 63 x 1.5	BMBL-08	70	5.0	12

CABLE PROTECTION SYSTEM FOR ROBOTS: ROBO-KIT



ROBO-KIT is a specially designed cable protection system for robots. The system allows for friction and interference free movement of cables connected to the robots. This system if used, allows for free movement of the robot while substantially enhancing the life of the cables.

The system consists of various components (shown below) which are assembled together to provide various different types of joints and terminations for the handling of the data and power cables of the robot as shown in figures 1, 2 & 3.

Product	Description / Part No.	Conduit Size	Width	Height	Length	Outside Diameter
	Abrasion Protector RKT	56 70	40.0 45.0	91.5 105	-	91.5 105
	Clamp RKC	56 70	30.0 34.0	115 138	120.3 145	100 126
	Tube Ball Joint RKS	56 70	108 132	105.5 120	105.5 120	105.5 120
	Tube Ball Joint Sleeve RKD	56 70	130 154	105.5 120	105.5 120	105.5 120
	Strain Relief Insert RKRC	56 70	43 44	86.0 104	-	86.0 104
	Strain Relief Insert RKSC	56 70	20.6 20.6	68.3 82	-	68.3 82
	Rotating Connector RKR	56 70	98.0 98.0	42.0 42.0	-	98.0 98.0
	Cable Manager VCG	56 70	20.6 20.6	64.1 77.8	-	64.1 77.8
	Conduits PAR	56 70	Internal Dia.(mm) Internal Dia.(mm)	56.3 70.0	External Dia.(mm) External Dia.(mm)	67.2 82.5